

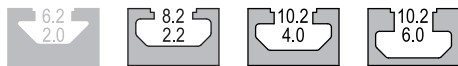
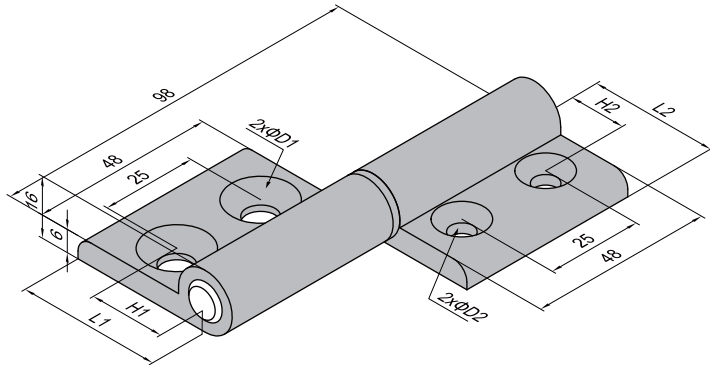
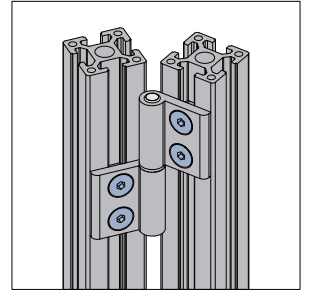
门窗组件

New!

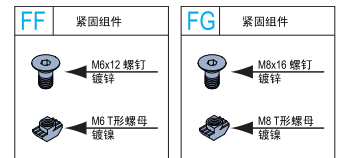
合页

材质和颜色: 铝合金 光亮氧化

铝插拔合页-30/30-左
 铝插拔合页-30/40-左
 铝插拔合页-30/45-左
 铝插拔合页-40/40-左
 铝插拔合页-40/45-左
 铝插拔合页-45/45-左



产品描述	H1 (mm)	H2 (mm)	L1 (mm)	L2 (mm)	D1 (mm)	D2 (mm)	紧固组件	重量 (g)	订购编号
30/30-左 (单个供货)	15	15	28	28	6.5	6.5		105	7.26.30.30
30/30-左 (成套供货)	15	15	28	28	6.5	6.5	4xFF	133	7.26.30.30.ST
30/40-左 (单个供货)	20	15	38	28	8.5	6.5		110	7.26.30.40
30/40-左 (成套供货)	20	15	38	28	8.5	6.5	2xFF+2xFG	158	7.26.30.40.ST
30/45-左 (单个供货)	22.5	15	38	28	8.5	6.5		110	7.26.30.45
30/45-左 (成套供货)	22.5	15	38	28	8.5	6.5	2xFF+2xFG	158	7.26.30.45.ST
40/40-左 (单个供货)	20	20	38	38	8.5	8.5		118	7.26.40.40
40/40-左 (成套供货)	20	20	38	38	8.5	8.5	4xFG	186	7.26.40.40.ST
40/45-左 (单个供货)	22.5	20	38	38	8.5	8.5		118	7.26.40.45
40/45-左 (成套供货)	22.5	20	38	38	8.5	8.5	4xFG	186	7.26.40.45.ST
45/45-左 (单个供货)	22.5	22.5	38	38	8.5	8.5		118	7.26.45.45
45/45-左 (成套供货)	22.5	22.5	38	38	8.5	8.5	4xFG	186	7.26.45.45.ST



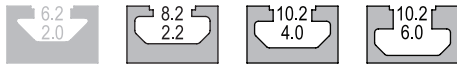
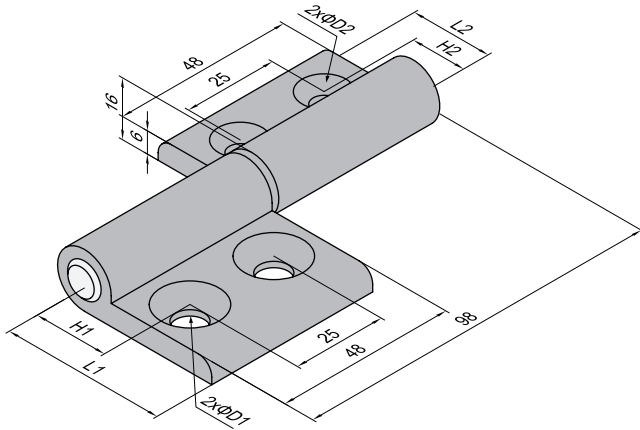
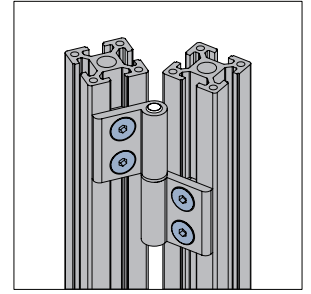
门窗组件

New!

合页

材质和颜色: 铝合金 光亮氧化

铝插拔合页-30/30-右
 铝插拔合页-30/40-右
 铝插拔合页-30/45-右
 铝插拔合页-40/40-右
 铝插拔合页-40/45-右
 铝插拔合页-45/45-右



产品描述	H1 (mm)	H2 (mm)	L1 (mm)	L2 (mm)	D1 (mm)	D2 (mm)	紧固组件	重量 (g)	订购编号
30/30-右 (单个供货)	15	15	28	28	6.5	6.5		105	7.27.30.30
30/30-右 (成套供货)	15	15	28	28	6.5	6.5	4xFF	133	7.27.30.30.ST
30/40-右 (单个供货)	20	15	38	28	8.5	6.5		110	7.27.30.40
30/40-右 (成套供货)	20	15	38	28	8.5	6.5	2xFF+2xFG	158	7.27.30.40.ST
30/45-右 (单个供货)	22.5	15	38	28	8.5	6.5		110	7.27.30.45
30/45-右 (成套供货)	22.5	15	38	28	8.5	6.5	2xFF+2xFG	158	7.27.30.45.ST
40/40-右 (单个供货)	20	20	38	38	8.5	8.5		118	7.27.40.40
40/40-右 (成套供货)	20	20	38	38	8.5	8.5	4xFG	186	7.27.40.40.ST
40/45-右 (单个供货)	22.5	20	38	38	8.5	8.5		118	7.27.40.45
40/45-右 (成套供货)	22.5	20	38	38	8.5	8.5	4xFG	186	7.27.40.45.ST
45/45-右 (单个供货)	22.5	22.5	38	38	8.5	8.5		118	7.27.45.45
45/45-右 (成套供货)	22.5	22.5	38	38	8.5	8.5	4xFG	186	7.27.45.45.ST

