

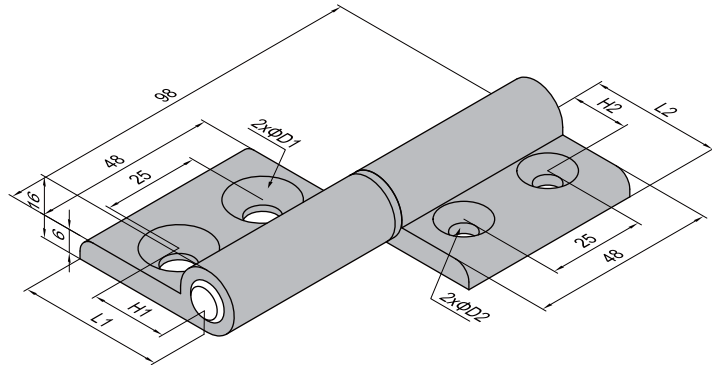
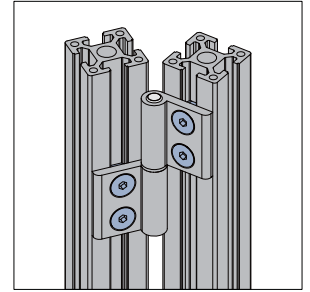
Door and Window Elements

New!

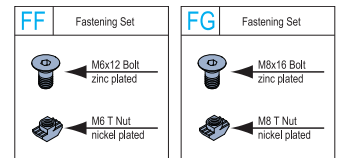
Hinge

Material and Color: aluminum alloy, clear anodized

- Al Removable Hinge-30/30-Left
- Al Removable Hinge-30/40-Left
- Al Removable Hinge-30/45-Left
- Al Removable Hinge-40/40-Left
- Al Removable Hinge-40/45-Left
- Al Removable Hinge-45/45-Left



Description	H1 (mm)	H2 (mm)	L1 (mm)	L2 (mm)	D1 (mm)	D2 (mm)	Fastening Set	Mass (g)	Part No.
30/30-Left (unit)	15	15	28	28	6.5	6.5		105	7.26.30.30
30/30-Left (set)	15	15	28	28	6.5	6.5	4xFF	133	7.26.30.30.ST
30/40-Left (unit)	20	15	38	28	8.5	6.5		110	7.26.30.40
30/40-Left (set)	20	15	38	28	8.5	6.5	2xFF+2xFG	158	7.26.30.40.ST
30/45-Left (unit)	22.5	15	38	28	8.5	6.5		110	7.26.30.45
30/45-Left (set)	22.5	15	38	28	8.5	6.5	2xFF+2xFG	158	7.26.30.45.ST
40/40-Left (unit)	20	20	38	38	8.5	8.5		118	7.26.40.40
40/40-Left (set)	20	20	38	38	8.5	8.5	4xFG	186	7.26.40.40.ST
40/45-Left (unit)	22.5	20	38	38	8.5	8.5		118	7.26.40.45
40/45-Left (set)	22.5	20	38	38	8.5	8.5	4xFG	186	7.26.40.45.ST
45/45-Left (unit)	22.5	22.5	38	38	8.5	8.5		118	7.26.45.45
45/45-Left (set)	22.5	22.5	38	38	8.5	8.5	4xFG	186	7.26.45.45.ST



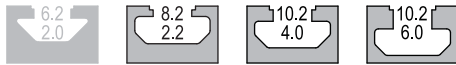
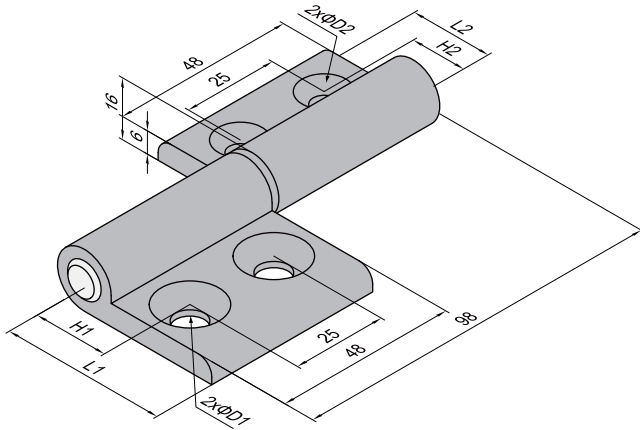
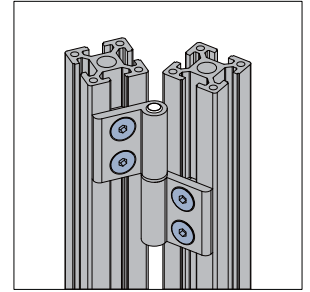
Door and Window Elements

New!

Hinge

Material and Color: aluminum alloy, clear anodized

- Al Removable Hinge-30/30-Right
- Al Removable Hinge-30/40-Right
- Al Removable Hinge-30/45-Right
- Al Removable Hinge-40/40-Right
- Al Removable Hinge-40/45-Right
- Al Removable Hinge-45/45-Right



Description	H1 (mm)	H2 (mm)	L1 (mm)	L2 (mm)	D1 (mm)	D2 (mm)	Fastening Set	Mass (g)	Part No.
30/30-Right (unit)	15	15	28	28	6.5	6.5		105	7.27.30.30
30/30-Right (set)	15	15	28	28	6.5	6.5	4xFF	133	7.27.30.30.ST
30/40-Right (unit)	20	15	38	28	8.5	6.5		110	7.27.30.40
30/40-Right (set)	20	15	38	28	8.5	6.5	2xFF+2xFG	158	7.27.30.40.ST
30/45-Right (unit)	22.5	15	38	28	8.5	6.5		110	7.27.30.45
30/45-Right (set)	22.5	15	38	28	8.5	6.5	2xFF+2xFG	158	7.27.30.45.ST
40/40-Right (unit)	20	20	38	38	8.5	8.5		118	7.27.40.40
40/40-Right (set)	20	20	38	38	8.5	8.5	4xFG	186	7.27.40.40.ST
40/45-Right (unit)	22.5	20	38	38	8.5	8.5		118	7.27.40.45
40/45-Right (set)	22.5	20	38	38	8.5	8.5	4xFG	186	7.27.40.45.ST
45/45-Right (unit)	22.5	22.5	38	38	8.5	8.5		118	7.27.45.45
45/45-Right (set)	22.5	22.5	38	38	8.5	8.5	4xFG	186	7.27.45.45.ST

