

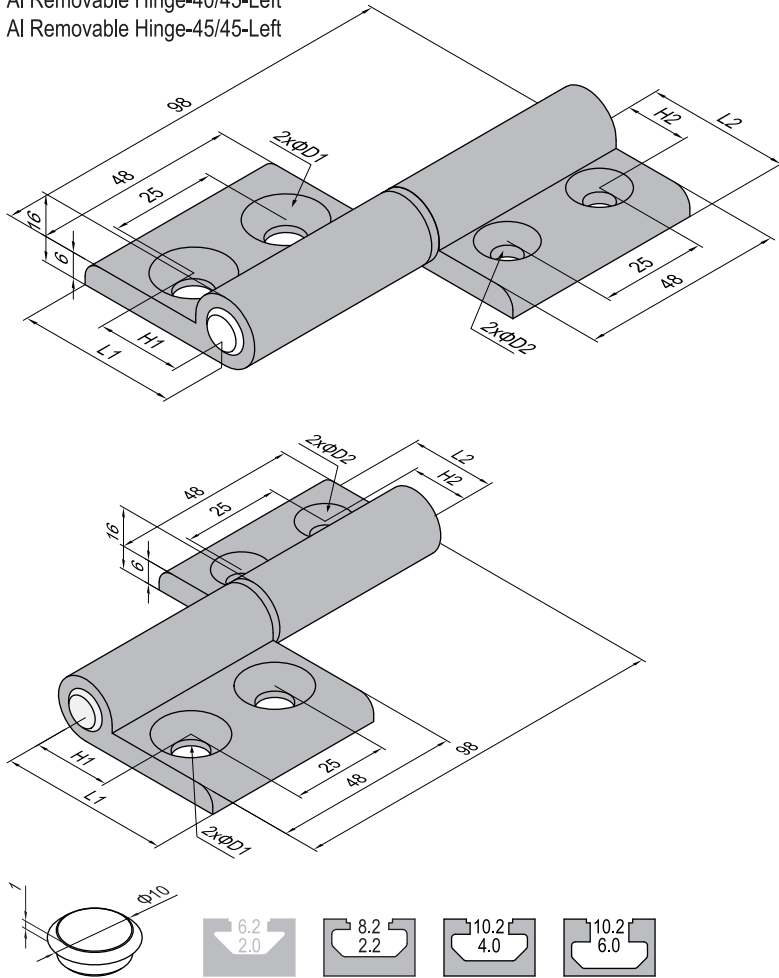
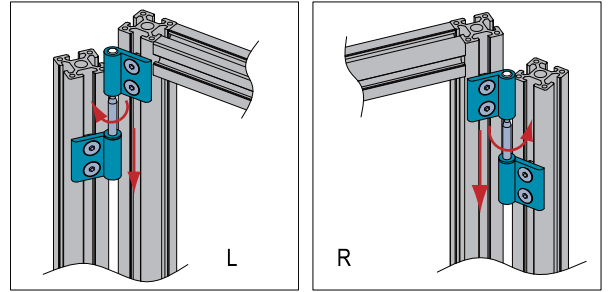
Door and Window Elements





New!

Hinge

Material and Color: aluminum alloy, clear anodized

- Al Removable Hinge-30/30-Left
- Al Removable Hinge-30/40-Left
- Al Removable Hinge-30/45-Left
- Al Removable Hinge-40/40-Left
- Al Removable Hinge-40/45-Left
- Al Removable Hinge-45/45-Left



FF	Fastening Set	FG	Fastening Set
	M6x12 Bolt zinc plated		M8x16 Bolt zinc plated
	M6 T Nut nickel plated		M8 T Nut nickel plated

Description	H1(mm)	H2(mm)	L1(mm)	L2(mm)	D1(mm)	D2(mm)	Fastening Set	Mass (g)	Part No.(L)	Part No.(R)
30/30 (unit)	15	15	28	28	6.5	6.5		105	7.26.30.30	7.27.30.30
30/30 (set)	15	15	28	28	6.5	6.5	4xFF	133	7.26.30.30.ST	7.27.30.30.ST
30/40 (unit)	20	15	38	28	8.5	6.5		110	7.26.30.40	7.27.30.40
30/40 (set)	20	15	38	28	8.5	6.5	2xFF+2xFG	158	7.26.30.40.ST	7.27.30.40.ST
30/45 (unit)	22.5	15	38	28	8.5	6.5		110	7.26.30.45	7.27.30.45
30/45 (set)	22.5	15	38	28	8.5	6.5	2xFF+2xFG	158	7.26.30.45.ST	7.27.30.45.ST
40/40 (unit)	20	20	38	38	8.5	8.5		118	7.26.40.40	7.27.40.40
40/40 (set)	20	20	38	38	8.5	8.5	4xFG	186	7.26.40.40.ST	7.27.40.40.ST
40/45 (unit)	22.5	20	38	38	8.5	8.5		118	7.26.40.45	7.27.40.45
40/45 (set)	22.5	20	38	38	8.5	8.5	4xFG	186	7.26.40.45.ST	7.27.40.45.ST
45/45 (unit)	22.5	22.5	38	38	8.5	8.5		118	7.26.45.45	7.27.45.45
45/45 (set)	22.5	22.5	38	38	8.5	8.5	4xFG	186	7.26.45.45.ST	7.27.45.45.ST

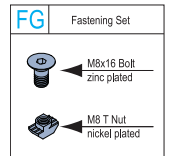
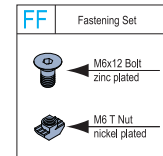
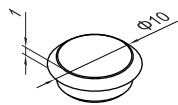
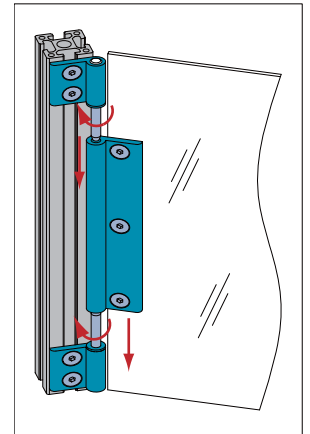
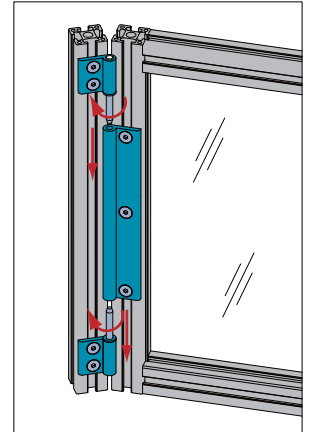
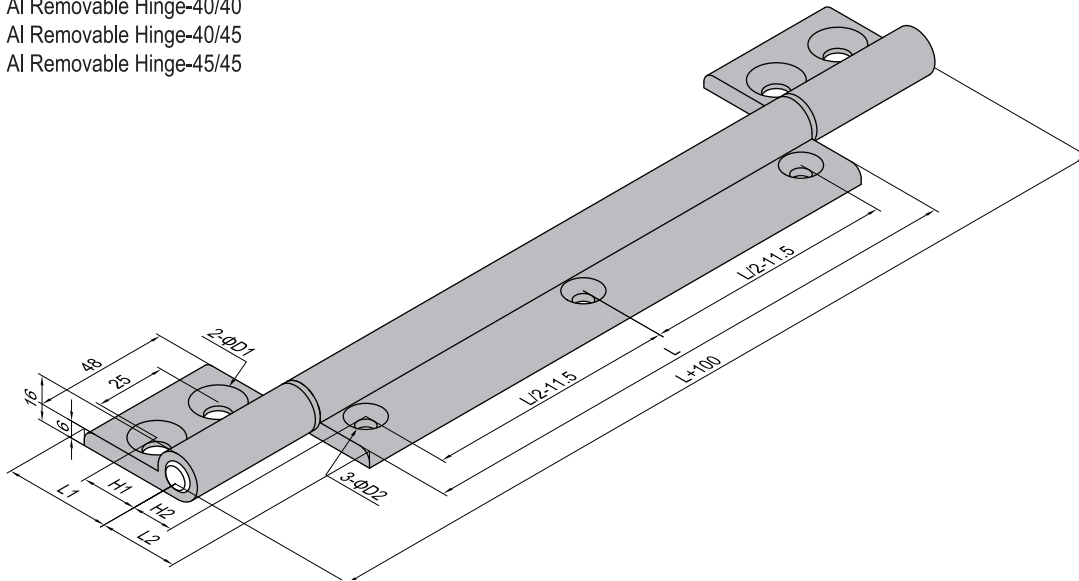
Door and Window Elements

New!

Hinge

Material and Color: aluminum alloy, clear anodized

- Al Removable Hinge-30/30
- Al Removable Hinge-30/40
- Al Removable Hinge-30/45
- Al Removable Hinge-40/40
- Al Removable Hinge-40/45
- Al Removable Hinge-45/45



Description	H1(mm)	H2(mm)	L1(mm)	L2(mm)	D1(mm)	D2(mm)	L(mm)	Fastening Set	Mass (g)	Part No.
30/30 (unit)	15	15	28	28	6.5	6.5	500		502	7.28.30.30
30/30 (set)	15	15	28	28	6.5	6.5		7×FF	558	7.28.30.30.ST
30/40 (unit)	20	15	38	28	8.5	6.5			512	7.28.30.40
30/40 (set)	20	15	38	28	8.5	6.5		3×FF+4×FG	604	7.28.30.40.ST
30/45 (unit)	22.5	15	38	28	8.5	6.5			512	7.28.30.45
30/45 (set)	22.5	15	38	28	8.5	6.5		3×FF+4×FG	604	7.28.30.45.ST
40/40 (unit)	20	20	38	38	8.5	6.5			587	7.28.40.40
40/40 (set)	20	20	38	38	8.5	6.5		7×FG	706	7.28.40.40.ST
40/45 (unit)	22.5	20	38	38	8.5	8.5			587	7.28.40.45
40/45 (set)	22.5	20	38	38	8.5	8.5		7×FG	706	7.28.40.45.ST
45/45 (unit)	22.5	22.5	38	38	8.5	8.5			587	7.28.45.45
45/45 (set)	22.5	22.5	38	38	8.5	8.5		7×FG	706	7.28.45.45.ST

Note: The length could be customized according to customers requirements(100~1000mm)

ex: 7.28.30.30 - 1000

