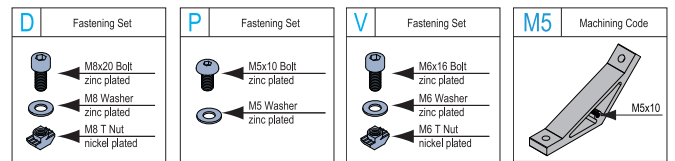
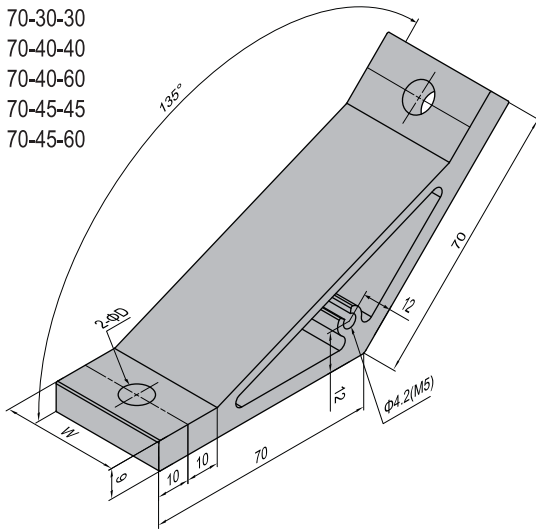
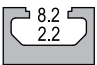


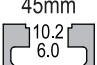
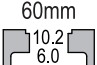


Connecting Elements

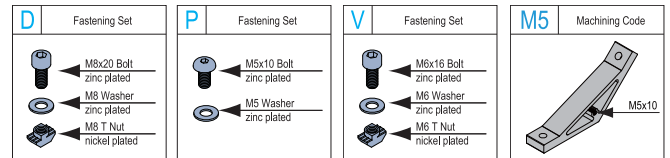
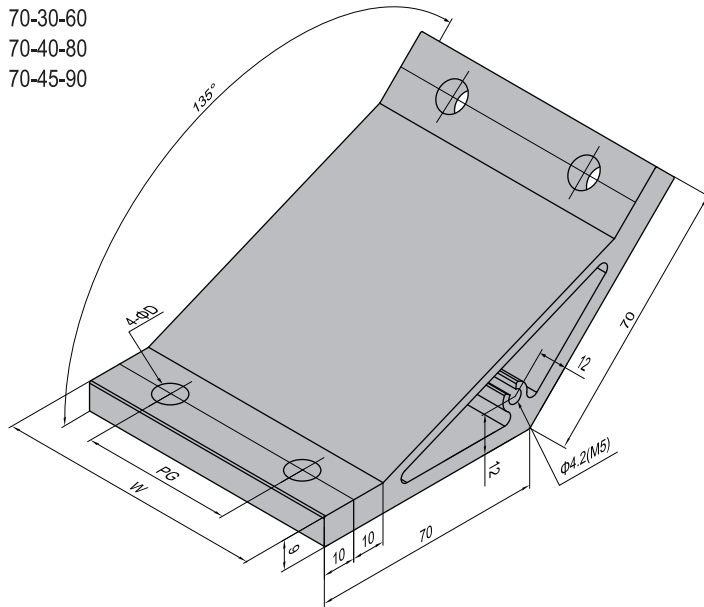
Angle Profile Bracket-70x70x9-135°

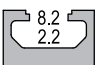


 70-30-30
 70-40-40
 70-40-60
 70-45-45
 70-45-60


Application	Description	D(mm)	W(mm)	Fastening Set	Machining Code	Mass (g)	Part No.
PG30 30mm 	70-30-30 (pcs)	7	22			71	3.31.70.30.30
	70-30-30 (set)	7	22	2xV		94	3.31.70.30.30.ST
	70-30-30 (M5)	7	22		M5	71	3.31.70.30.30.M5
	70-30-30 (M5 set)	7	22	2xV+1xP	M5	96	3.31.70.30.30.M5.ST
PG40 40mm 	70-40-40 (pcs)	9	30			96	3.31.70.40.40
	70-40-40 (set)	9	30	2xD		142	3.31.70.40.40.ST
	70-40-40 (M5)	9	30		M5	96	3.31.70.40.40.M5
	70-40-40 (M5 set)	9	30	2xD+1xP	M5	144	3.31.70.40.40.M5.ST
PG40 60mm 	70-40-60 (pcs)	9	50			166	3.31.70.40.60
	70-40-60 (set)	9	50	2xD		212	3.31.70.40.60.ST
	70-40-60 (M5)	9	50		M5	166	3.31.70.40.60.M5
	70-40-60 (M5 set)	9	50	2xD+1xP	M5	214	3.31.70.40.60.M5.ST
PG45 45mm 	70-45-45 (pcs)	9	35			113	3.31.70.45.45
	70-45-45 (set)	9	35	2xD		159	3.31.70.45.45.ST
	70-45-45 (M5)	9	35		M5	113	3.31.70.45.45.M5
	70-45-45 (M5 set)	9	35	2xD+1xP	M5	161	3.31.70.45.45.M5.ST
PG45 60mm 	70-45-60 (pcs)	9	50			166	3.31.70.45.60
	70-45-60 (set)	9	50	2xD		212	3.31.70.45.60.ST
	70-45-60 (M5)	9	50		M5	166	3.31.70.45.60.M5
	70-45-60 (M5 Set)	9	50	2xD+1xP	M5	214	3.31.70.45.60.M5.ST

Connecting Elements

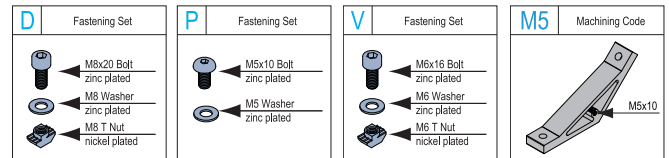
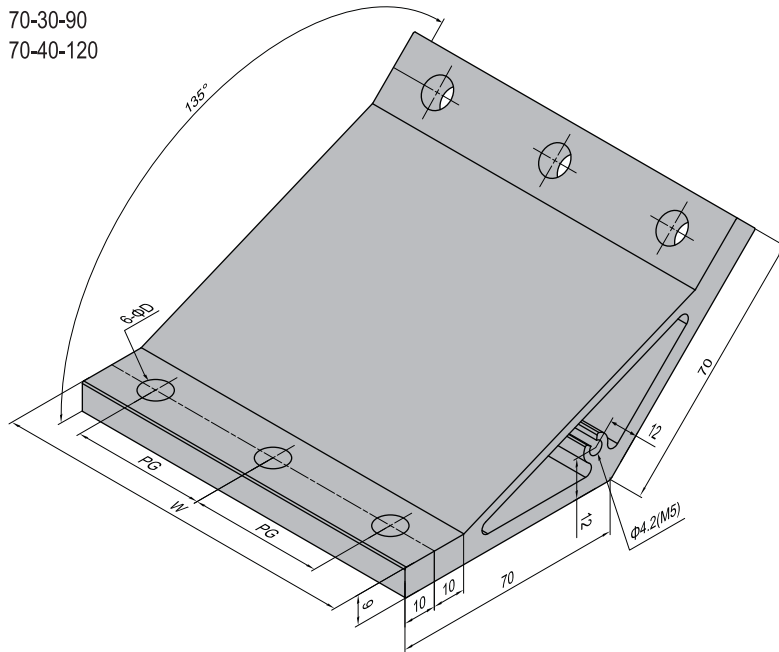
Angle Profile Bracket-70x70x9-135°



 70-30-60
 70-40-80
 70-45-90


Application	Description	D(mm)	W(mm)	PG(mm)	Fastening Set	Machining Code	Mass (g)	Part No.
PG30 60mm 	70-30-60 (pcs)	7	52	30			171	3.31.70.30.60
	70-30-60 (set)	7	52	30	4xV		213	3.31.70.30.60.ST
	70-30-60 (M5)	7	52	30		M5	171	3.31.70.30.60.M5
	70-30-60 (M5 set)	7	52	30	4xV+1xP	M5	215	3.31.70.30.60.M5.ST
PG40 80mm 	70-40-80 (pcs)	9	70	40			227	3.31.70.40.80
	70-40-80 (set)	9	70	40	4xD		313	3.31.70.40.80.ST
	70-40-80 (M5)	9	70	40		M5	227	3.31.70.40.80.M5
	70-40-80 (M5 set)	9	70	40	4xD+1xP	M5	315	3.31.70.40.80.M5.ST
PG45 90mm 	70-45-90 (pcs)	9	80	45			262	3.31.70.45.90
	70-45-90 (set)	9	80	45	4xD		348	3.31.70.45.90.ST
	70-45-90 (M5)	9	80	45		M5	262	3.31.70.45.90.M5
	70-45-90 (M5 set)	9	80	45	4xD+1xP	M5	350	3.31.70.45.90.M5.ST

Connecting Elements

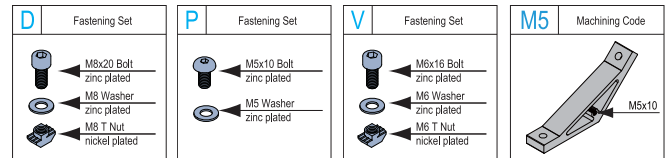
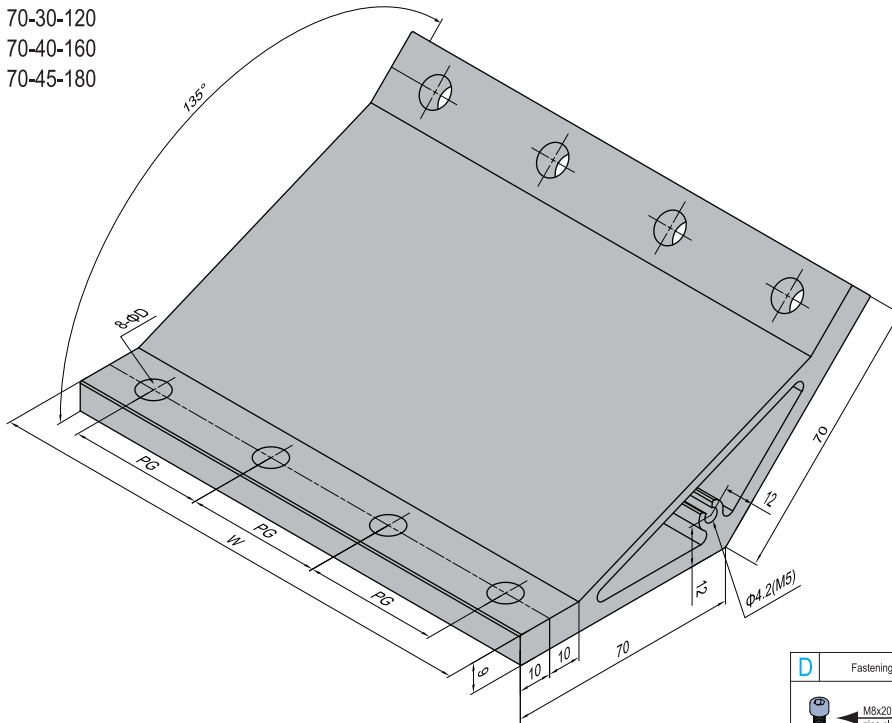
Angle Profile Bracket-70x70x9-135°

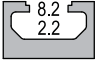

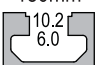
 70-30-90
 70-40-120


Application	Description	D(mm)	W(mm)	PG(mm)	Fastening Set	Machining Code	Mass (g)	Part No.
PG30 90mm 	70-30-90 (pcs)	7	82	30			270	3.31.70.30.90
	70-30-90 (set)	7	82	30	6xV		331	3.31.70.30.90.ST
	70-30-90 (M5)	7	82	30		M5	270	3.31.70.30.90.M5
	70-30-90 (M5 set)	7	82	30	6xV+1xP	M5	333	3.31.70.30.90.M5.ST
PG40 120mm 	70-40-120 (pcs)	9	110	40			357	3.31.70.40.120
	70-40-120 (set)	9	110	40	6xD		487	3.31.70.40.120.ST
	70-40-120 (M5)	9	110	40		M5	357	3.31.70.40.120.M5
	70-40-120 (M5 set)	9	110	40	6xD+1xP	M5	489	3.31.70.40.120.M5.ST

Connecting Elements

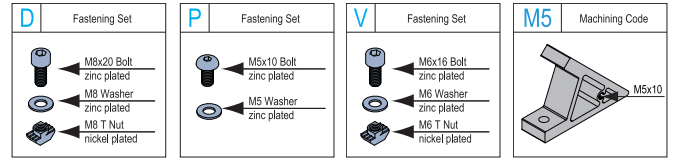
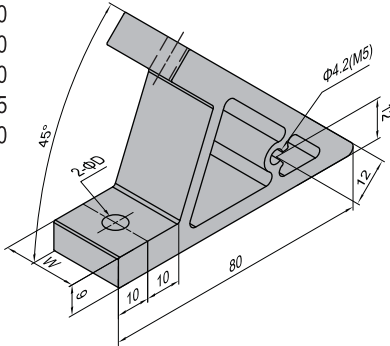
Angle Profile Bracket-70x70x9-135°

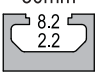

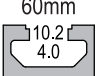
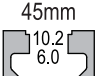
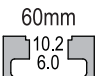
 70-30-120
 70-40-160
 70-45-180


Application	Description	D(mm)	W(mm)	PG(mm)	Fastening Set	Machining Code	Mass (g)	Part No.
PG30 120mm 	70-30-120 (pcs)	7	112	30			369	3.31.70.30.120
	70-30-120 (set)	7	112	30	8xD		449	3.31.70.30.120.ST
	70-30-120 (M5)	7	112	30		M5	369	3.31.70.30.120.M5
	70-30-120 (M5 set)	7	112	30	8xV+1xP	M5	451	3.31.70.30.120.M5.ST
PG40 160mm 	70-40-160 (pcs)	9	150	40			488	3.31.70.40.160
	70-40-160 (set)	9	150	40	8xD		660	3.31.70.40.160.ST
	70-40-160 (M5)	9	150	40		M5	488	3.31.70.40.160.M5
	70-40-160 (M5 set)	9	150	40	8xD+1xP	M5	662	3.31.70.40.160.M5.ST
PG45 180mm 	70-45-180 (pcs)	9	170	45			558	3.31.70.45.180
	70-45-180 (set)	9	170	45	8xD		730	3.31.70.45.180.ST
	70-45-180 (M5)	9	170	45		M5	558	3.31.70.45.180.M5
	70-45-180 (M5 set)	9	170	45	8xD+1xP	M5	732	3.31.70.45.180.M5.ST

Connecting Elements

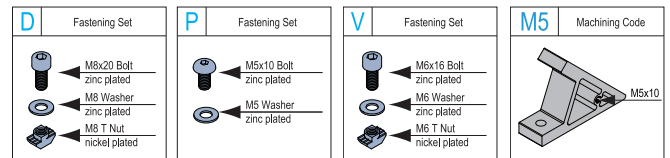
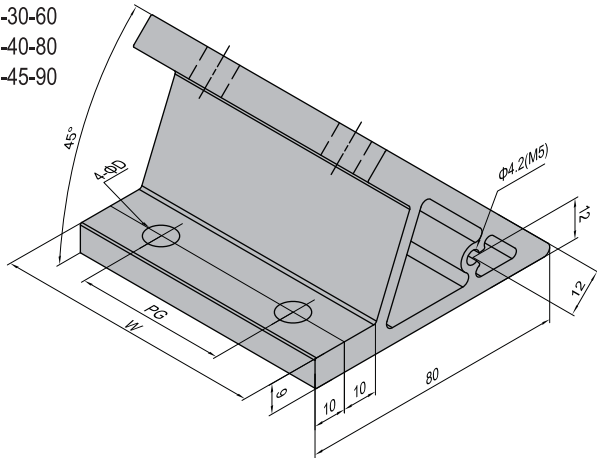
Angle Profile Bracket-80x80x9-45°

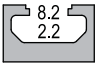
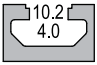
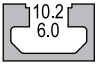
 80-30-30
 80-40-40
 80-40-60
 80-45-45
 80-45-60


Application	Description	D(mm)	W(mm)	Fastening Set	Machining Code	Mass (g)	Part No.
PG30 30mm 	80-30-30 (pcs)	7	22			68	3.31.80.30.30
	80-30-30 (set)	7	22	2xV		91	3.31.80.30.30.ST
	80-30-30 (M5)	7	22		M5	68	3.31.80.30.30.M5
	80-30-30 (M5 set)	7	22	2xV+1xP	M5	93	3.31.80.30.30.M5.ST
PG40 40mm 	80-40-40 (pcs)	9	30			89	3.31.80.40.40
	80-40-40 (set)	9	30	2xD		135	3.31.80.40.40.ST
	80-40-40 (M5)	9	30		M5	89	3.31.80.40.40.M5
	80-40-40 (M5 set)	9	30	2xD+1xP	M5	137	3.31.80.40.40.M5.ST
PG40 60mm 	80-40-60 (pcs)	9	50			151	3.31.80.40.60
	80-40-60 (set)	9	50	2xD		197	3.31.80.40.60.ST
	80-40-60 (M5)	9	50		M5	151	3.31.80.40.60.M5
	80-40-60 (M5 set)	9	50	2xD+1xP	M5	199	3.31.80.40.60.M5.ST
PG45 45mm 	80-45-45 (pcs)	9	35			105	3.31.80.45.45
	80-45-45 (set)	9	35	2xD		151	3.31.80.45.45.ST
	80-45-45 (M5)	9	35		M5	105	3.31.80.45.45.M5
	80-45-45 (M5 set)	9	35	2xD+1xP	M5	153	3.31.80.45.45.M5.ST
PG45 60mm 	80-45-60 (pcs)	9	50			151	3.31.80.45.60
	80-45-60 (set)	9	50	2xD		197	3.31.80.45.60.ST
	80-45-60 (M5)	9	50		M5	151	3.31.80.45.60.M5
	80-45-60 (M5 Set)	9	50	2xD+1xP	M5	199	3.31.80.45.60.M5.ST

Connecting Elements

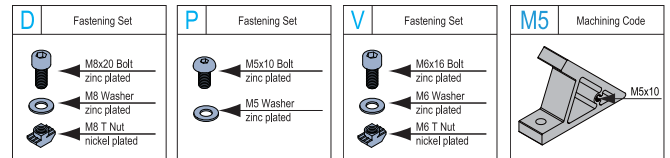
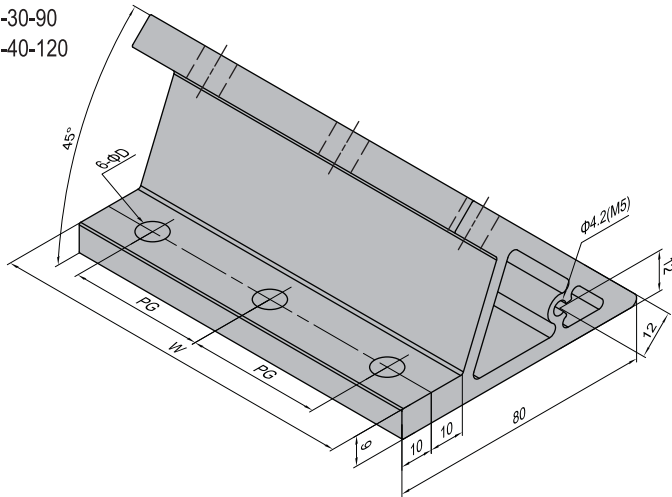
Angle Profile Bracket-80x80x9-45°



 80-30-60
 80-40-80
 80-45-90


Application	Description	D(mm)	W(mm)	PG(mm)	Fastening Set	Machining Code	Mass (g)	Part No.
PG30 60mm 	80-30-60 (pcs)	7	52	30			156	3.31.80.30.60
	80-30-60 (set)	7	52	30	4xV		198	3.31.80.30.60.ST
	80-30-60 (M5)	7	52	30		M5	156	3.31.80.30.60.M5
	80-30-60 (M5 set)	7	52	30	4xV+1xP	M5	200	3.31.80.30.60.M5.ST
PG40 80mm 	80-40-80 (pcs)	9	70	40			209	3.31.80.40.80
	80-40-80 (set)	9	70	40	4xD		295	3.31.80.40.80.ST
	80-40-80 (M5)	9	70	40		M5	209	3.31.80.40.80.M5
	80-40-80 (M5 set)	9	70	40	4xD+1xP	M5	297	3.31.80.40.80.M5.ST
PG45 90mm 	80-45-90 (pcs)	9	80	45			240	3.31.80.45.90
	80-45-90 (set)	9	80	45	4xD		326	3.31.80.45.90.ST
	80-45-90 (M5)	9	80	45		M5	240	3.31.80.45.90.M5
	80-45-90 (M5 set)	9	80	45	4xD+1xP	M5	328	3.31.80.45.90.M5.ST

Connecting Elements

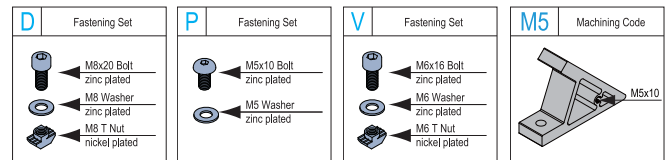
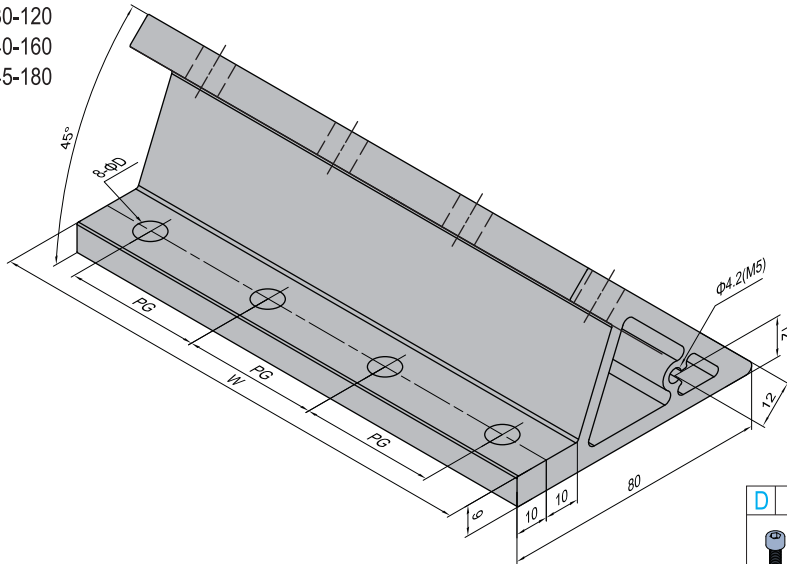
Angle Profile Bracket-80x80x9-45°

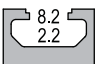
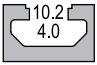
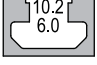
 80-30-90
 80-40-120


Application	Description	D(mm)	W(mm)	PG(mm)	Fastening Set	Machining Code	Mass (g)	Part No.
PG30 90mm 	80-30-90 (pcs)	7	82	30			247	3.31.80.30.90
	80-30-90 (set)	7	82	30	6xV		308	3.31.80.30.90.ST
	80-30-90 (M5)	7	82	30		M5	247	3.31.80.30.90.M5
	80-30-90 (M5 set)	7	82	30	6xV+1xP	M5	310	3.31.80.30.90.M5.ST
PG40 120mm 	80-40-120 (pcs)	9	110	40			329	3.31.80.40.120
	80-40-120 (set)	9	110	40	6xD		459	3.31.80.40.120.ST
	80-40-120 (M5)	9	110	40		M5	329	3.31.80.40.120.M5
	80-40-120 (M5 set)	9	110	40	6xD+1xP	M5	461	3.31.80.40.120.M5.ST

Connecting Elements

Angle Profile Bracket-80x80x9-45°

 80-30-120
 80-40-160
 80-45-180


Application	Description	D(mm)	W(mm)	PG(mm)	Fastening Set	Machining Code	Mass (g)	Part No.
PG30 120mm 	80-30-120 (pcs)	7	112	30			337	3.31.80.30.120
	80-30-120 (set)	7	112	30	8xV		417	3.31.80.30.120.ST
	80-30-120 (M5)	7	112	30		M5	337	3.31.80.30.120.M5
	80-30-120 (M5 set)	7	112	30	8xV+1xP	M5	419	3.31.80.30.120.M5.ST
PG40 160mm 	80-40-160 (pcs)	9	150	40			449	3.31.80.40.160
	80-40-160 (set)	9	150	40	8xD		621	3.31.80.40.160.ST
	80-40-160 (M5)	9	150	40		M5	449	3.31.80.40.160.M5
	80-40-160 (M5 set)	9	150	40	8xD+1xP	M5	623	3.31.80.40.160.M5.ST
PG45 180mm 	80-45-180 (pcs)	9	170	45			510	3.31.80.45.180
	80-45-180 (set)	9	170	45	8xD		682	3.31.80.45.180.ST
	80-45-180 (M5)	9	170	45		M5	510	3.31.80.45.180.M5
	80-45-180 (M5 set)	9	170	45	8xD+1xP	M5	684	3.31.80.45.180.M5.ST