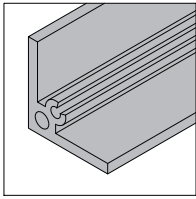
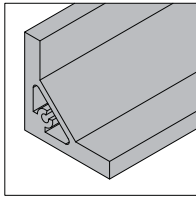


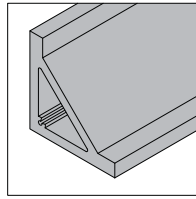
Angle Profile



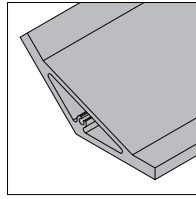
Angle Profile 35x35x4



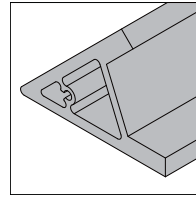
Angle Profile 50x50x9



Angle Profile 100x100x15



Angle Profile 70x70x9-135°



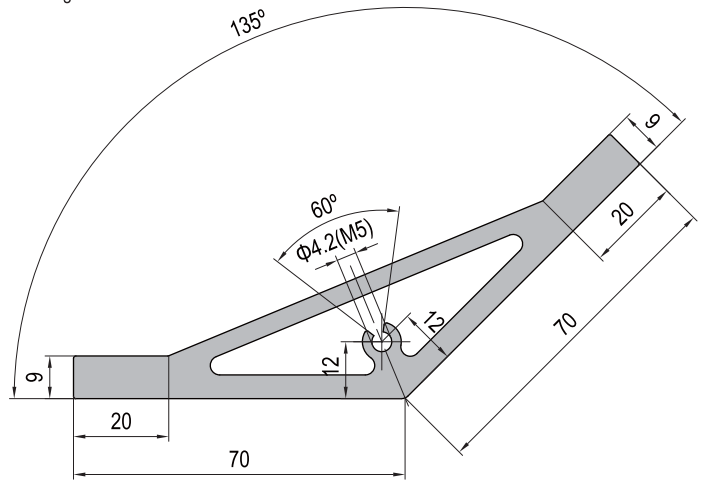
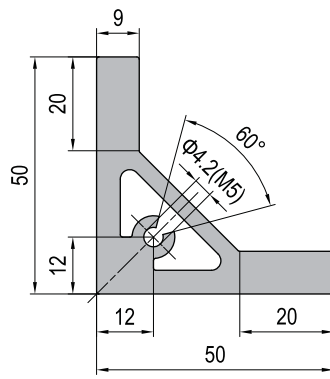
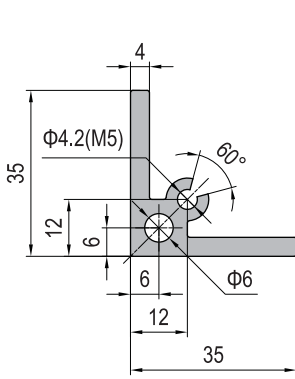
Angle Profile 80x80x9-45°

Angle profile is mainly used for producing angle profile connector, it has a wide range of applications due to its good flexibility. Surface of all the angle profile uses a variety of treatment, such as natural anodized, black anodized, electrophoretic paint etc.

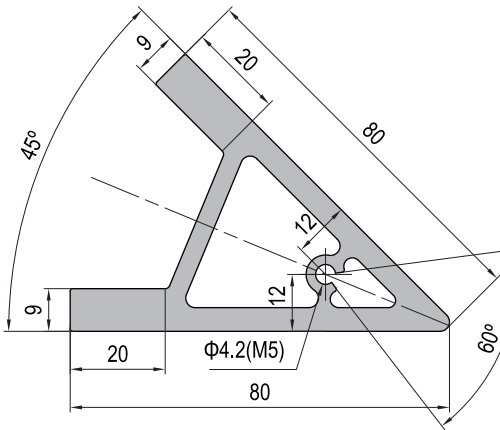
Angle Profile 35x35x4

Angle Profile 50x50x9

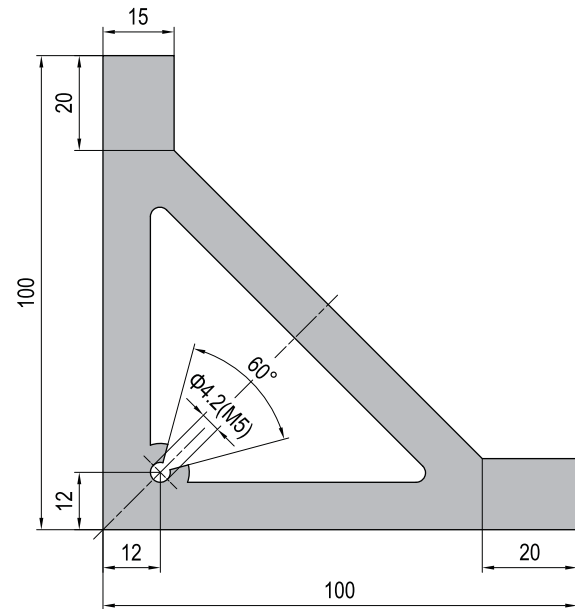
Angle Profile 70x70x9-135°



Angle Profile 80x80x9-45°



Angle Profile 100x100x15



Description	Mass (kg/m)	Part No.
Angle Profile 35x35x4	0.9	1.31.3535.04
Angle Profile 50x50x9	2.3	1.31.5050.09
Angle Profile 70x70x9-135°	3.5	1.31.7070.09
Angle Profile 80x80x9-45°	3.1	1.31.8080.09
Angle Profile 100x100x15	8.5	1.31.100100.15

Note: The maximum delivery length of Angle Profile 100x100x15 is 4000mm, the others are all 5800mm.