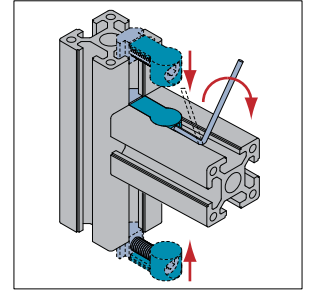
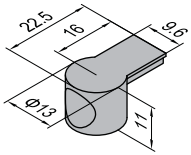


Connecting Elements

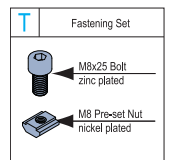
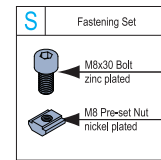
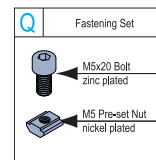
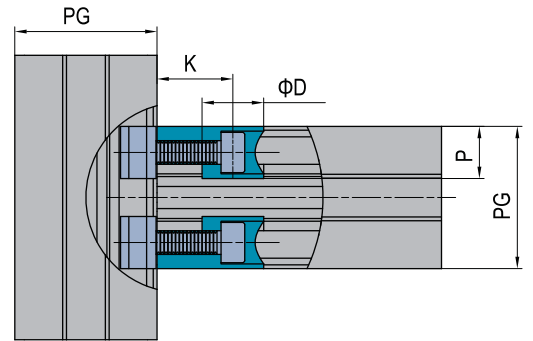
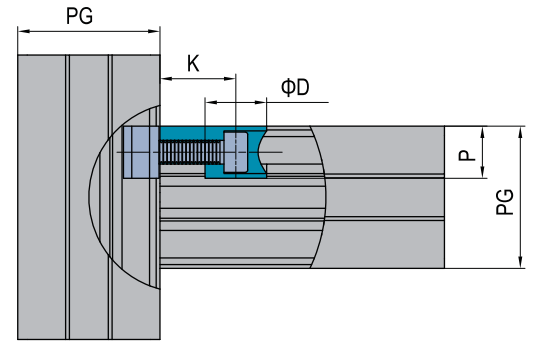
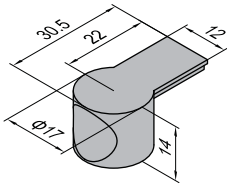
Butt Connectors are widely used for clean room system and profile bar subsequent installation.
Material: nickel plated die cast zinc aluminum alloy



Butt Connector-8



Butt Connector-10



Description	PG	K(mm)	D(mm)	P(mm)	Fastening Set	Mass (g)	Part No.
Butt Connector-8 (pcs)	PG30	16	13	11		9	3.61.08
Butt Connector-8 (set)	PG30	16	13	11	1xQ	20	3.61.08.ST
Butt Connector-10 (pcs)	PG40/PG45/PG50/PG60	22	17	14		15	3.61.10
Butt Connector-10-4 (set)	PG40	22	17	14	1xT	41	3.61.10.04.ST
Butt Connector-10-6 (set)	PG45/PG50/PG60	22	17	14	1xS	43	3.61.10.06.ST