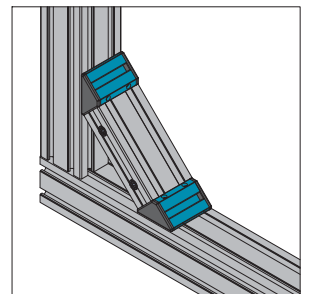
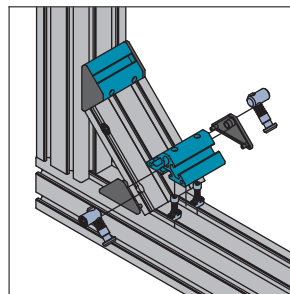
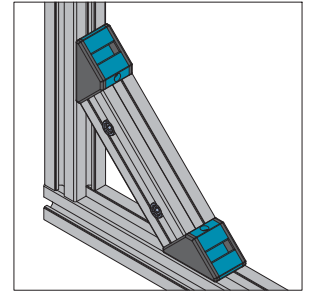
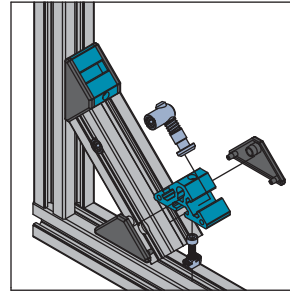
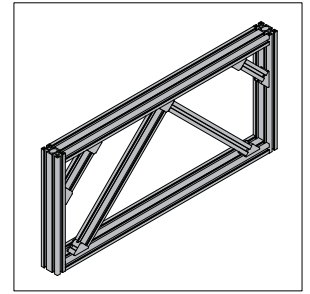
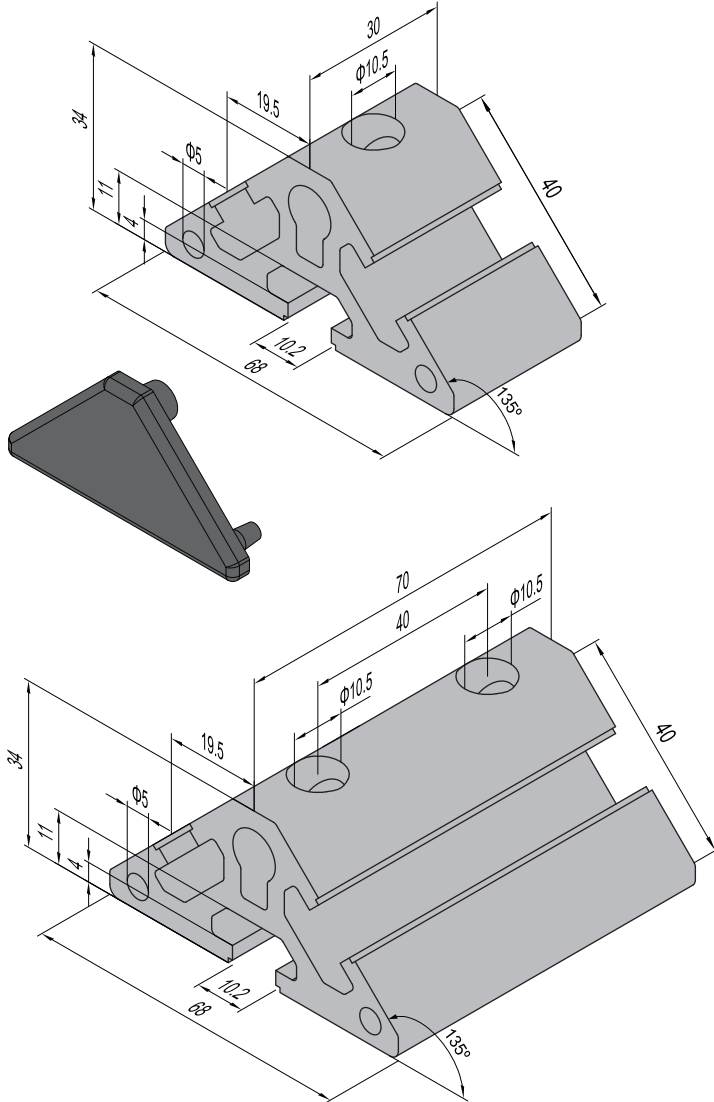


Additional Accessories

Frame Joint

In the case of self-supporting lengths and dynamic alternating loads, bracing elements should be added due to the material combination of aluminium. These can be angle brackets, bracing plates and cross beams usually used in frameworks.

Material: aluminium profile 6005-T5 clear anodized (cutting end not anodized)  
end cap: black ABS



Description	Fastening Set	End Cap	Mass (g)	Part No.
PG40-4040 (set)	1xCB	2	95	8.41.4040
PG40-4080 (set)	2xCB	2	192	8.41.4080

