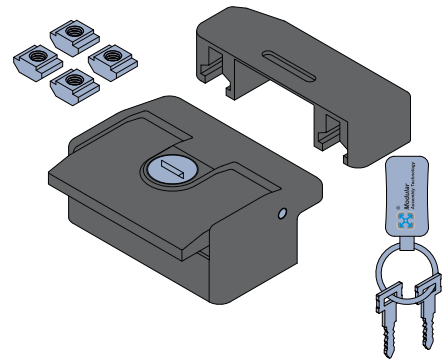
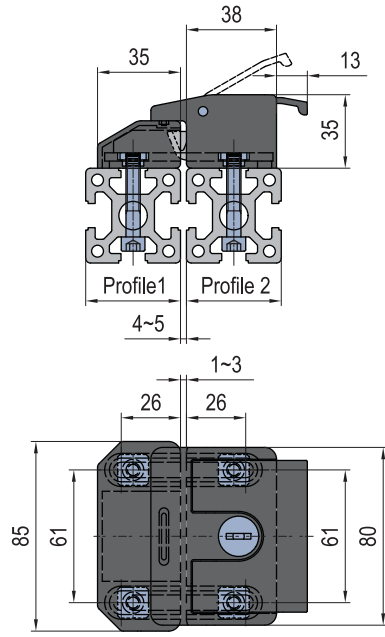
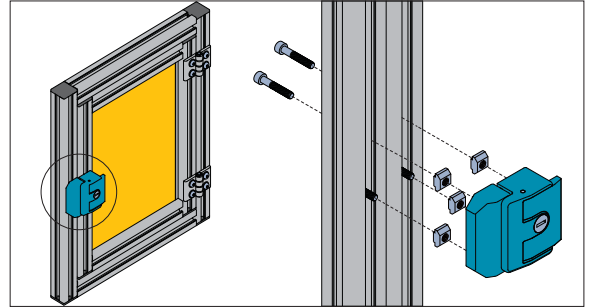


Door and Window Elements

**New!**

Lock  
Compact metal lock with self-locking design.  
Material and Color: die cast zinc, plastic powder coated, black



Description	Profile 1	Profile 2	Fastening Set	Mass (g)	Part No.
Lock-4040	PG40	PG40	4x(M6x40)	584	7.31.40.40
Lock-4540	PG45	PG40	2x(M6x40) 2x(M6x45)	586	7.31.45.40
Lock-4545	PG45	PG45	4x(M6x45)	588	7.31.45.45

Note: offer per set (including fastening set).