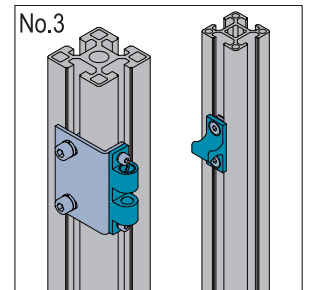
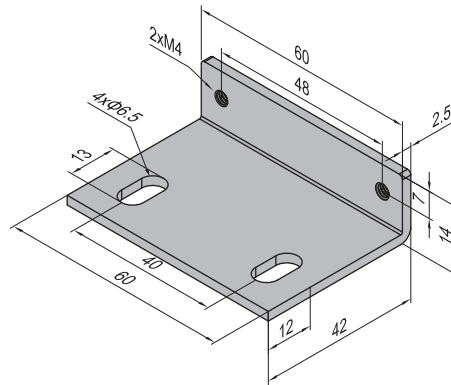
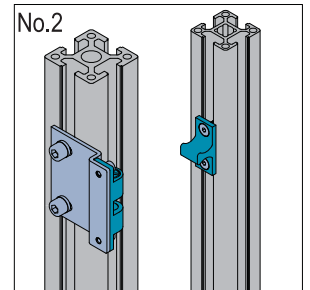
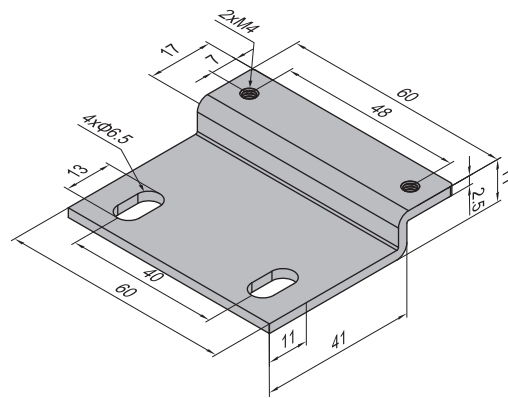
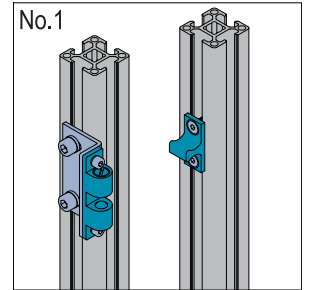
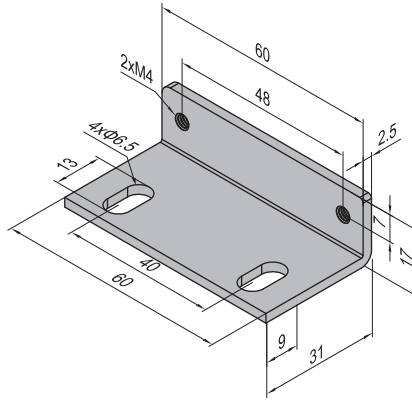
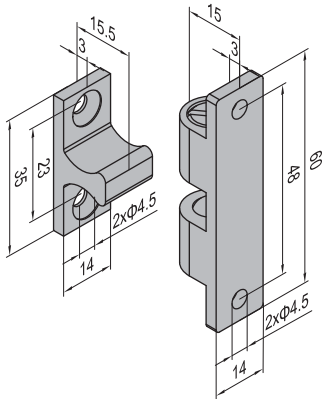


Door and Window Elements

Magnet Catch

Material: Magnet Catch-aluminum alloy, hard oxidation anodized
Connectors-zinc plated steel

Note: The dimensions of the door must be larger than 400mm when the Magnet Catch was installed under the mudsill.



CF Fastening Set M4x10 Bolt zinc plated M4 T Nut nickel plated	CH Fastening Set M4x6 Bolt zinc plated M4 Spring Washer zinc plated	CJ Fastening Set M6x10 Bolt zinc plated M6 Spring Washer zinc plated M6 T Nut nickel plated	CK Fastening Set M6x14 Bolt zinc plated M6 Spring Washer zinc plated M6 T Nut nickel plated	CN Fastening Set M6x16 Bolt zinc plated M6 Spring Washer zinc plated M6 T Nut nickel plated
---	--	---	---	---

Description	Fastening Set	Mass (g)	Part No.
Magnet Catch-14 (pcs)		26	7.41.14
Magnet Catch-14 (Profile 3030 for Door, Profile 3030 for Doorframe set No.1)	2xCF+2xCH+2xCJ	130	7.41.14.3030.ST
Magnet Catch-14 (Profile 3030 for Door, Profile 4040 for Doorframe set No.2)	2xCF+2xCH+2xCK	139	7.41.14.3040.ST
Magnet Catch-14 (Profile 3030 for Door, Profile 4545 for Doorframe set No.3)	2xCF+2xCH+2xCN	145	7.41.14.3045.ST

Door and Window Elements

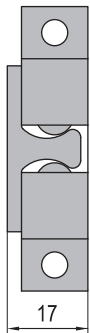
Magnet Catch

Material: Magnet Catch-aluminum alloy, hard oxidation anodized

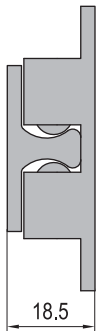
Connectors-zinc plated steel

(Material for Connectors 4080 is aluminum alloy 6061)

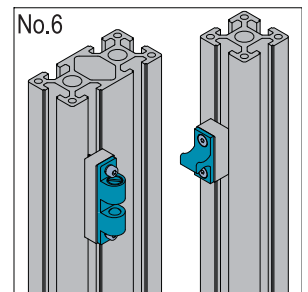
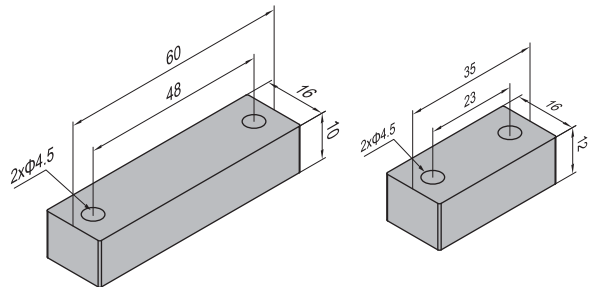
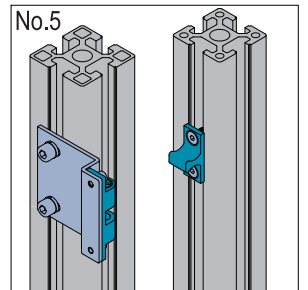
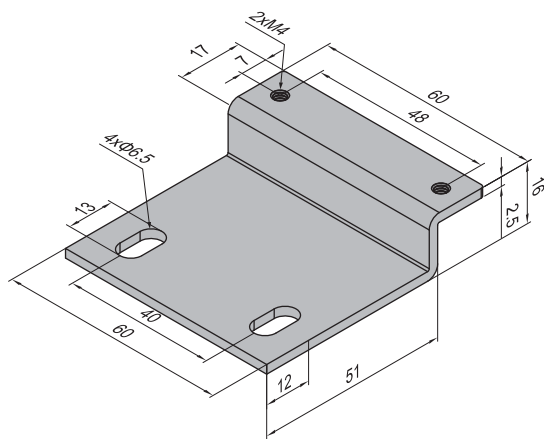
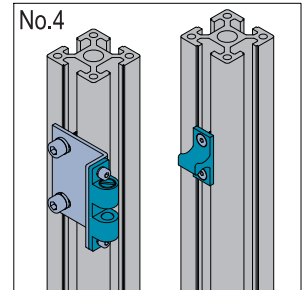
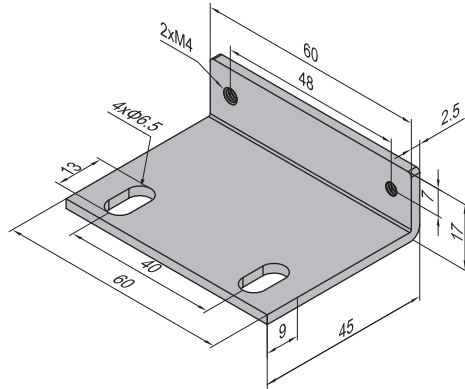
Note: The dimensions of the door must be larger than 400mm when the Magnet Catch was installed under the mudsill.



Tighten Status 1



Tighten Status 2



CG Fastening Set M4x14 Bolt zinc plated M4 T Nut nickel plated	CH Fastening Set M4x6 Bolt zinc plated M4 Spring Washer zinc plated	CK Fastening Set M6x14 Bolt zinc plated M6 Spring Washer zinc plated M6 T Nut nickel plated	CL Fastening Set M4x25 Bolt zinc plated M4 Spring Washer zinc plated M4 T Nut nickel plated	CM Fastening Set M4x25 Bolt zinc plated M4 T Nut nickel plated	CN Fastening Set M6x16 Bolt zinc plated M6 Spring Washer zinc plated M6 T Nut nickel plated
---	--	---	---	---	---

Description	Fastening Set	Mass (g)	Part No.
Magnet Catch-14 (Profile 4040 for Door, Profile 4040 for Doorframe set No.4)	2xCG+2xCH+2xCK	147	7.41.14.4040.ST
Magnet Catch-14 (Profile 4040 for Door, Profile 4545 for Doorframe set No.5)	2xCG+2xCH+2xCN	151	7.41.14.4045.ST
Magnet Catch-14 (Profile 4040 for Door, Profile 4080 for Doorframe set No.6)	2xCL+2xCM	255	7.41.14.4080.ST